

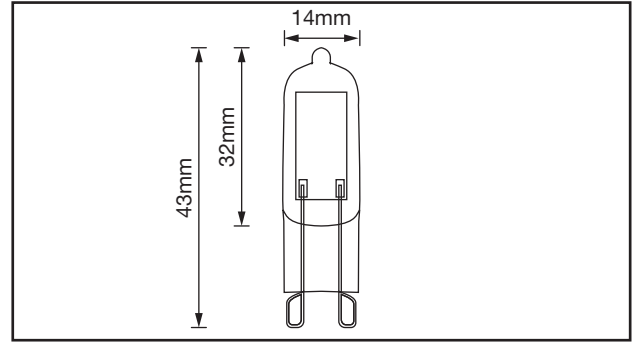
## AG920

G9 Retro-Fit Glass Body  
2W COB Wafer LED Lamp



### PRODUCT FEATURES

- Retrofit Size & Look
- Non Dimmable
- 2W COB Wafer Technology
- Full Glass Construction



### TECHNICAL SPECIFICATIONS

PRODUCT CODE	AG920/30	AG920/40
Power	2W	2W
Lumens	<250 lm	<265 lm
Colour Temperature	3000K	4000K
Beam Angle	300°	300°
CRI	>80	>80
Lifetime (Hours to Im70)	25,000 Hrs	25,000 Hrs
Voltage	220-240 VAC	220-240 VAC
Operating Temperature	-10°C ~ 40°C	-10°C ~ 40°C

